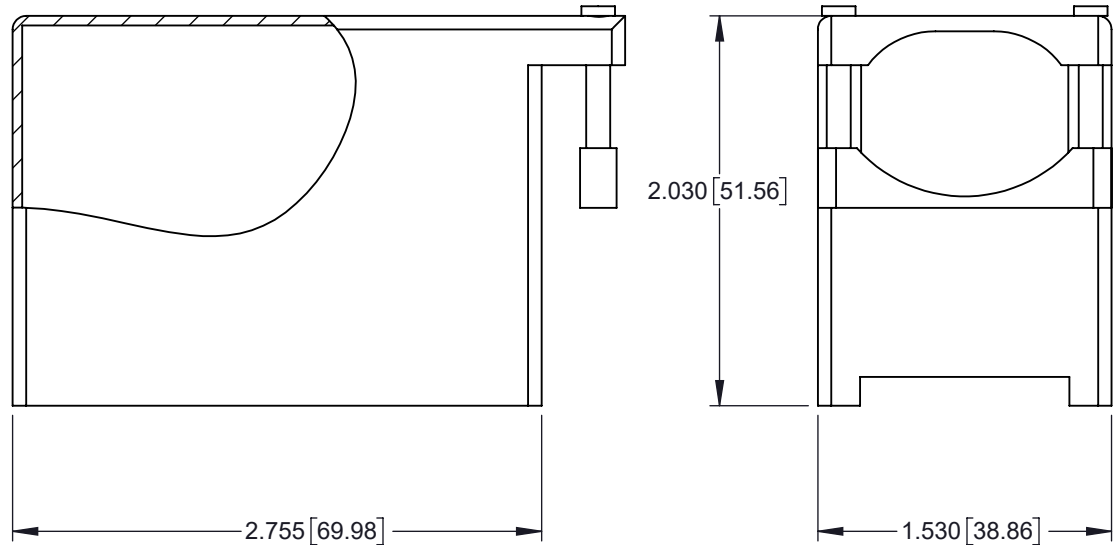


TOLERANCE UNLESS OTHERWISE SPECIFIED IN MM:
GENERAL ±0.02 [0.5]

THIS IS A C.A.D. GENERATED DRAWING
DO NOT MAKE MANUAL REVISIONS TO MASTER.



| | |
|----------------|------------|
| ISSUE NUMBER | |
| ORIGINAL | ① |
| ADD TOL J.T | MAY10/17 ② |



ORDERING CODE:

516-230-512

Series: _____

Cover Sub-Assembly: _____

Entry Style: _____
5-Metal Cover, Side Entry

Cover Size: SIZE 120 _____

1. MATERIAL:
COVER: ZINC DIE CAST
PAINTED WITH GREY ENAMEL
2. PAINT SHALL COMPLETELY COVER ALL EXTERIOR SURFACES
AND BE FREE OF BLISTERS, BUBBLES, AND VOIDS.
3. INCHES [MM]



THIS SERIES FULLY CONFORMS TO THE
EUROPEAN UNION DIRECTIVES 2011/65/EC
RoHS COMPLIANCY.

**516 SERIES COVER ASSEMBLY
PART NUMBER: 516-230-512**



YOUR CONNECTION TO QUALITY & SERVICE

EDAC INC
TORONTO, ONTARIO
CANADA

THESE DRAWINGS AND SPECIFICATIONS
ARE THE PROPERTY OF EDAC INC. AND
SHALL NOT BE REPRODUCED, OR COPIED
OR USED AS THE BASIS FOR THE
MANUFACTURE OR SALE OF APPARATUS
WITHOUT WRITTEN PERMISSION.

| | |
|--------------------------------------|-----------------|
| ACAD REFERENCE NO. 516-230-512 | |
| DRAWN: R.STA.MONICA | DATE: MAY.27/11 |
| CHECKED: | DATE: |
| SCALE: NOT TO SCALE | SHEET 1 1 |
| DRAWING NUMBER 516-230-512 | ISSUE 2 |