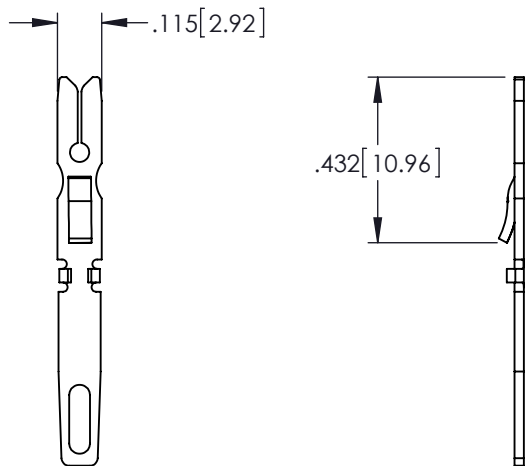


THIS IS A C.A.D. GENERATED DRAWING
DO NOT MAKE MANUAL REVISIONS TO MASTER.



ISSUE NUMBER	
ORIGINAL	①



ORDERING CODE: 516-290-500

Series: _____
 Contact Sub-Assembly: _____
 Contact Code: 500 _____

1. MATERIAL:
PHOSPHOR BRONZE ALLOY CA-510
2. PLATING: GOLD OVER NICKEL ALL OVER
3. INCHES [MM]

516 SERIES CONTACT PART NUMBER: 516-290-500		ACAD REFERENCE NO. 516-290-500	
		DRAWN: R.STA.MONICA	DATE: MAY.30/11
EDAC INC TORONTO, ONTARIO CANADA YOUR CONNECTION TO QUALITY & SERVICE		CHECKED:	DATE:
		SCALE: NOT TO SCALE	SHEET 1 OF 1
DRAWING NUMBER 516-290-500			ISSUE 1

THIS SERIES FULLY CONFORMS TO THE
EUROPEAN UNION DIRECTIVES 2002/95/EC
AND 2002/96/EC FOR RoHS COMPLIANCY

THESE DRAWINGS AND SPECIFICATIONS
ARE THE PROPERTY OF EDAC INC. AND
SHALL NOT BE REPRODUCED, OR COPIED
OR USED AS THE BASIS FOR THE
MANUFACTURE OR SALE OF APPARATUS
WITHOUT WRITTEN PERMISSION.