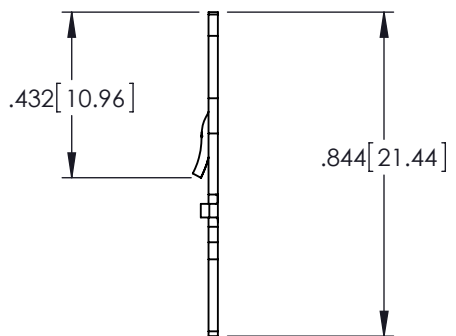
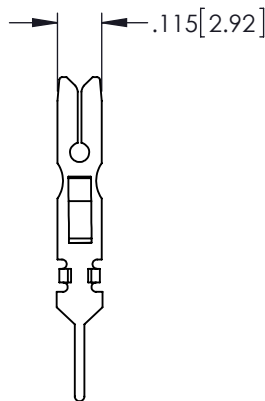


THIS IS A C.A.D. GENERATED DRAWING
DO NOT MAKE MANUAL REVISIONS TO MASTER.



ISSUE NUMBER	
ORIGINAL	①



ORDERING CODE: **516-290-520**


Series: _____

Contact Sub-Assembly: _____

Contact Code: 520 _____

1. MATERIAL:
PHOSPHOR BRONZE ALLOY CA-510
2. PLATING: GOLD OVER NICKEL ALL OVER
3. INCHES [MM]

516 SERIES CONTACT PART NUMBER: 516-290-520		ACAD REFERENCE NO. 516-290-520	
		DRAWN: R.STA.MONICA	DATE: MAY.30/11
		CHECKED:	DATE:
		SCALE: NOT TO SCALE	SHEET 1 OF 1
		DRAWING NUMBER 516-290-520	ISSUE 1

 THIS SERIES FULLY CONFORMS TO THE
EUROPEAN UNION DIRECTIVES 2002/95/EC
AND 2002/96/EC FOR RoHS COMPLIANCY

EDAC **EDAC INC**
TORONTO, ONTARIO
CANADA
YOUR CONNECTION TO QUALITY & SERVICE

THESE DRAWINGS AND SPECIFICATIONS
ARE THE PROPERTY OF EDAC INC. AND
SHALL NOT BE REPRODUCED, OR COPIED
OR USED AS THE BASIS FOR THE
MANUFACTURE OR SALE OF APPARATUS
WITHOUT WRITTEN PERMISSION.