

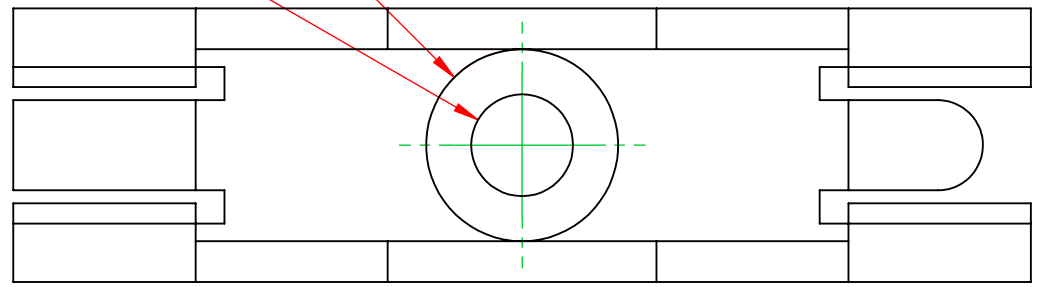
TOLERANCE  
UNLESS OTHERWISE  
SPECIFIED

.XX	±0.002
.XXX	±0.005

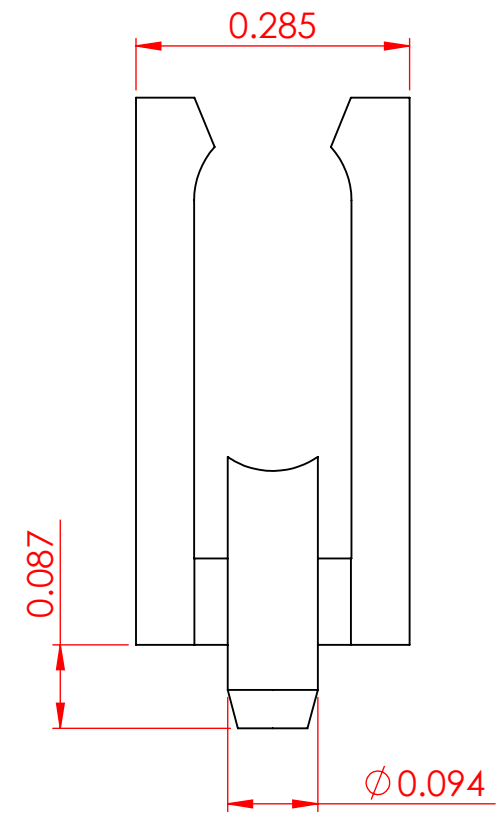
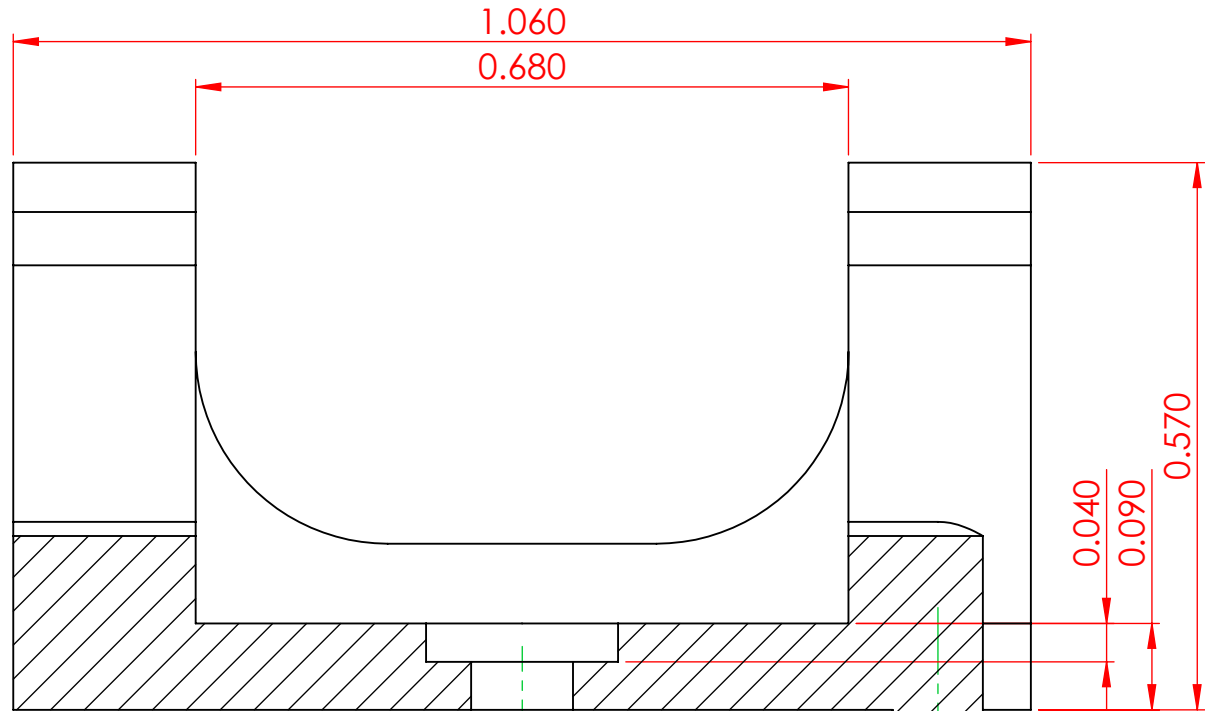
THIS IS A C.A.D. GENERATED DRAWING  
DO NOT MAKE MANUAL REVISIONS TO MASTER.



ISSUE NUMBER	①
ORIGINAL	



NOTES:  
MATERIAL:  
NYLON 6/6 20%-GF  
BLACK IN COLOR



SECTION A-A

520 SERIES - RETENTION CLIP & MOUNTING BRACKET

ACAD REFERENCE NO.:	520-220-001
DRAWN:	F.BRIONES
DATE:	JAN. 31/2000
CHECKED:	DATE:
SCALE:	5:1
SHEET:	1 OF 1
DRAWING NUMBER:	520-220-001
PART NUMBER:	520-220-001
ISSUE	1



THIS SERIES FULLY CONFORMS TO  
THE EUROPEAN UNION DIRECTIVES  
2011/65/EU FOR RoHS COMPLIANCY.



EDAC INC  
TORONTO, ONTARIO  
CANADA  
YOUR CONNECTION TO QUALITY & SERVICE

THESE DRAWINGS AND SPECIFICATIONS  
ARE THE PROPERTY OF EDAC INC., AND  
SHALL NOT BE REPRODUCED, OR COPIED  
OR USED AS THE BASIS FOR THE  
MANUFACTURE OR SALE OF APPARATUS  
WITHOUT WRITTEN PERMISSION.