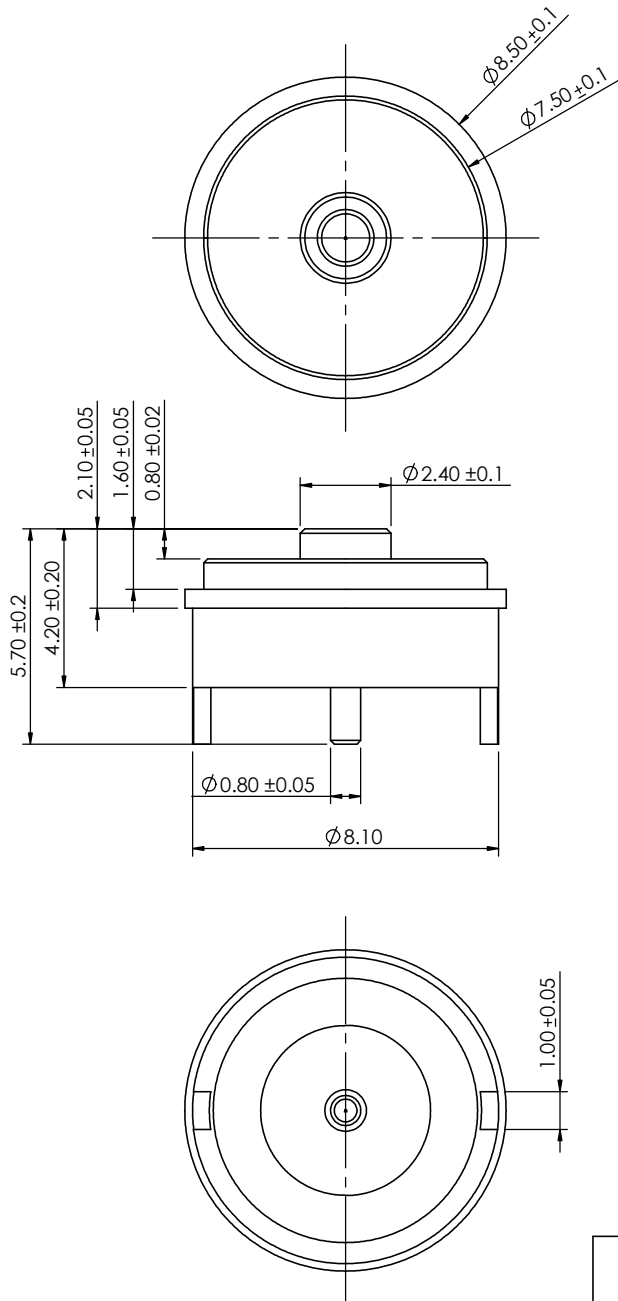


TOLERANCE UNLESS OTHERWISE SPECIFIED	
.XX	±0.10

THIS IS A C.A.D. GENERATED DRAWING  
DO NOT MAKE MANUAL REVISIONS TO MASTER.



ISSUE NUMBER	
ORIGINAL	①
ADD NOTE 4 & 5	
P.M.	AUG. 10/2023 ②
REVISE NOTE 1 & DELETE DIM 0.48, R3.60, R4.05 DELETE DIM 7.65, Ø1.50±0.05	
L.K.	AUG. 18/2023 ③



SPECIFICATION:

1- MATERIAL:

CONTACT: BRASS, GOLD FLASH PLATING ALL OVER NICKEL UNDERPLATING  
INSULATION: PA46 + 30%GF, BLACK  
MAGNET: N52

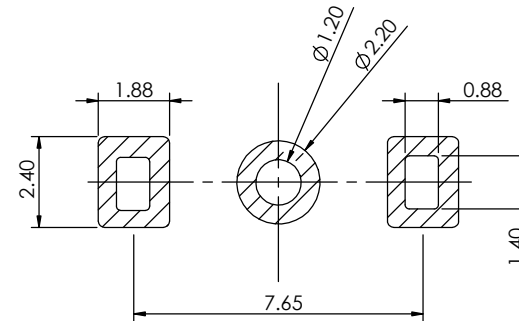
2- ELECTRICAL:

RATED VOLTAGE (PER CONTACT): 5V  
RATED CURRENT (PER CONTACT): 2A

3- WORKING TEMPERATURE RANGE: -30°C~+85°C

4- RECOMMENDED SOLDERING PROCESS ARE SELECTIVE SOLDERING OR MANUAL SOLDERING. OTHER FORMS OF SOLDERING SUCH AS WAVE SOLDER OR REFLOW SOLDER ARE NOT RECOMMENDED AND CAN POTENTIALLY CAUSE DEMAGNETIZATION OF MAGNET IN THE CONNECTOR

5- MATING WITH: 687C0222A000C00, 687C0222A001C00, 687C0222A001K00,  
687C0222A000K00 OR 685C02212021C1E



RECOMMENDED PCB LAYOUT  
TOLERANCE ±0.05MM



THIS SERIES FULLY CONFORMS TO  
THE EUROPEAN UNION DIRECTIVES  
2011/65/EU FOR RoHS COMPLIANCY.



YOUR CONNECTION TO QUALITY & SERVICE

EDAC INC  
TORONTO, ONTARIO  
CANADA

THESE DRAWINGS AND SPECIFICATIONS  
ARE THE PROPERTY OF EDAC INC., AND  
SHALL NOT BE REPRODUCED, OR COPIED  
OR USED AS THE BASIS FOR THE  
MANUFACTURE OR SALE OF APPARATUS  
WITHOUT WRITTEN PERMISSION.

MAGNETIC SPRING LOADED CONNECTOR, 1POS, FEMALE		ACAD REFERENCE NO.:	686C02222030C1E	UNIT: MM
		DRAWN:	J.L.	DATE: 8/21/2023
		CHECKED:	R.S.M	DATE: 8/21/2023
		SCALE:	(IN CAD 1:1)	SHEET 1 OF 1
		DRAWING NUMBER:	686C02222030C1E	ISSUE
		PART NUMBER:	686C02222030C1E	3