

TOLERANCE UNLESS OTHERWISE SPECIFIED:  
±.010 (0.25)

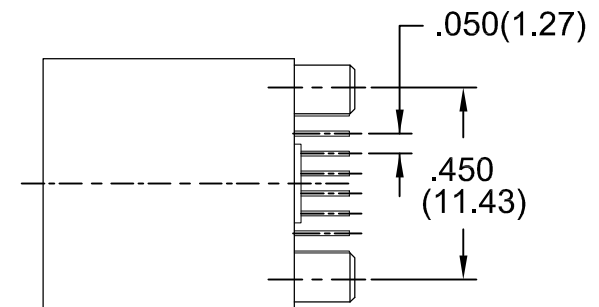
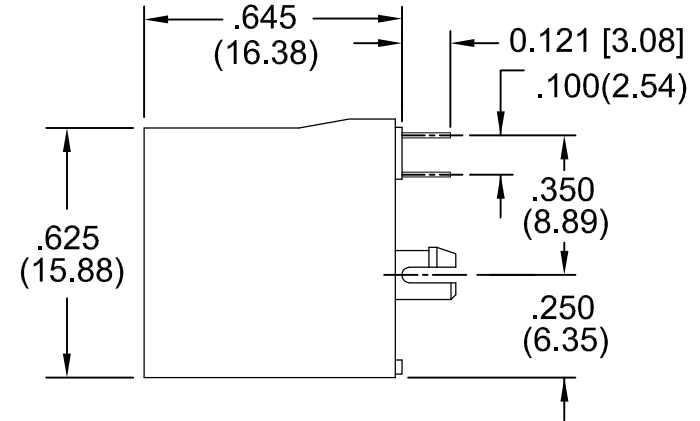
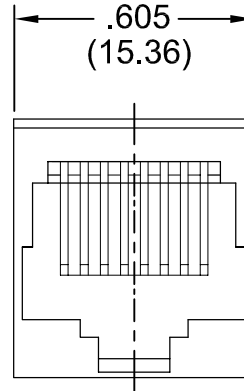
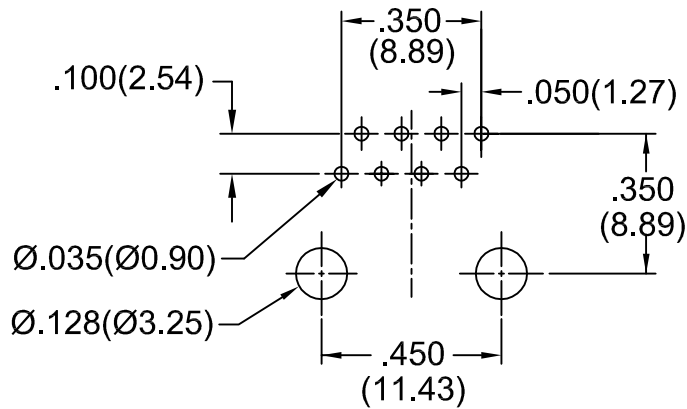
THIS IS A C.A.D. GENERATED DRAWING  
DO NOT MAKE MANUAL REVISIONS TO MASTER.



ISSUE NUMBER

ADD TOLERANCE ± .010 (±0.25)  
ADD PLATING SPECS  
R.STA.MONICA MAY.26/2015 (4)

UPDATE SPECS  
J.TAN NOV.3/2016 (5)



NOTES:




HOUSING: PA66, UL94V-0, COLOR: BLACK

CONTACTS:

<u>PART NO.</u>	<u>MATERIAL &amp; PLATING</u>
A00-108-220-450	0.45MM PHOSPHOR BRONZE GOLD FLASH PLATING ALL OVER NICKEL UNDERPLATING
A00-108-620-450	0.35MM COPPER ALLOY 30µIN OF GOLD PLATING ON CONTACT AREA WITH TIN PLATING ON SOLDER AREA ALL OVER NICKEL UNDERPLATING



THIS SERIES FULLY CONFORMS TO THE  
EUROPEAN UNION DIRECTIVES  
2011/65/EU FOR RoHS COMPLIANCY.

<b>MODULAR JACK TOP ENTRY PCB 8 POSITIONS</b>		ACAD REFERENCE NO. A00-108-220-450	
		DRAWN: R.BLAKEY	DATE: NOV. 13/06
 EDAC INC TORONTO, ONTARIO CANADA YOUR CONNECTION TO QUALITY & SERVICE		CHECKED:	
		DATE:	
 EDAC INC TORONTO, ONTARIO CANADA YOUR CONNECTION TO QUALITY & SERVICE		PART NUMBER SEE PART NO.	
		DRAWING NUMBER A00-108-220-450	
 EDAC INC TORONTO, ONTARIO CANADA YOUR CONNECTION TO QUALITY & SERVICE		ISSUE 5	

THESE DRAWINGS AND SPECIFICATIONS  
ARE THE PROPERTY OF EDAC INC. AND  
SHALL NOT BE REPRODUCED OR COPIED  
OR USED AS THE BASIS FOR THE  
MANUFACTURE OR SALE OF APPARATUS  
WITHOUT WRITTEN PERMISSION.