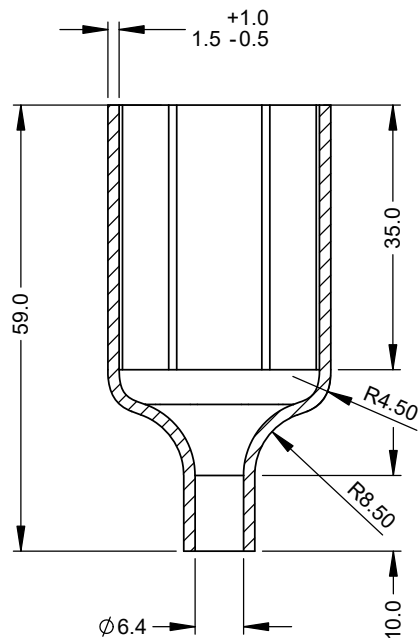
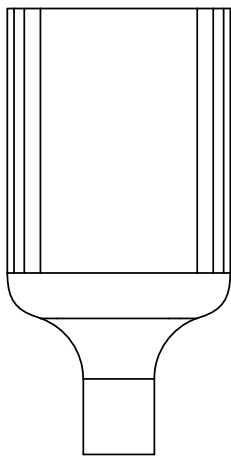


THIS IS A C.A.D. GENERATED DRAWING
DO NOT MAKE MANUAL REVISIONS TO MASTER.

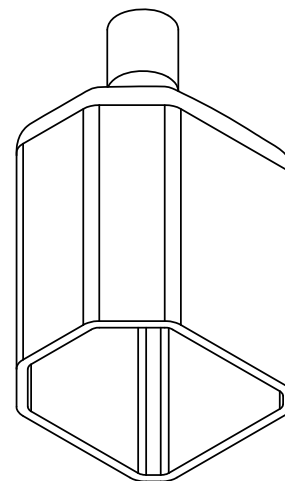
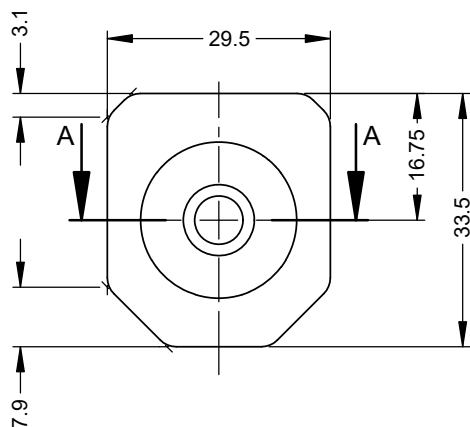
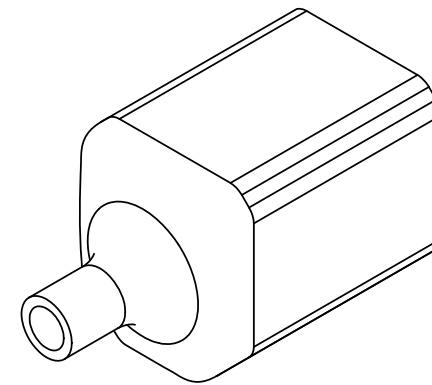


* UNLESS OTHERWISE SPECIFIED TOLERANCES
ON DECIMAL IS: UNIT: MM UNIT: INCH
 X.X ± 0.5 X.X ±
 X.XX ± X.XX ±
 X.XXX ± X.XXX ±
 X.° ± 1° X.° ± 1°
 X.X° ± X.X° ±

ISSUE NUMBER	
ORIGINAL	①



SECTION A-A



SPECIFICATIONS:

MATERIAL:
60 SHORE FR, BLACK

THESE DRAWINGS AND SPECIFICATIONS ARE THE PROPERTY OF MH CONNECTORS AND SHALL NOT BE REPRODUCED, COPIED OR USED AS THE BASIS FOR THE MANUFACTURE OR SALE OF APPARATUS WITHOUT WRITTEN PERMISSION.

DRAWN	E.P	DATE	25-06-24
-------	-----	------	----------

APPROVED	S.R	DATE	25-06-24
----------	-----	------	----------

SCALE	SHEET OF	REV:
NA	1 OF 1	1

DRAWING No	DIP-IEC6L-BK
------------	--------------



THIS SERIES FULLY CONFORMS TO THE EUROPEAN UNION DIRECTIVES 2015/863/EU AND 2011/65/EU FOR RoHS COMPLIANCY.



MH CONNECTORS,
DIVISION OF EDAC