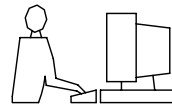
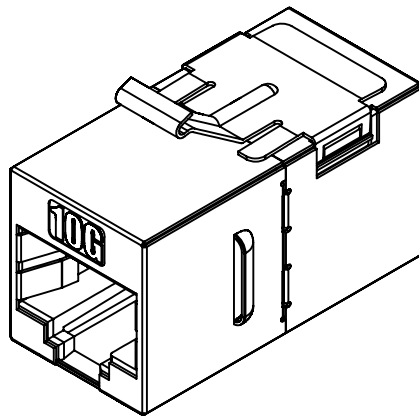
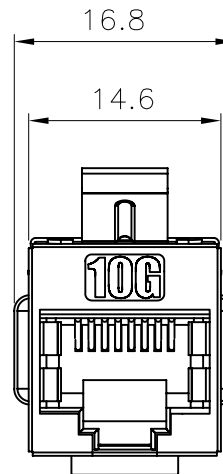
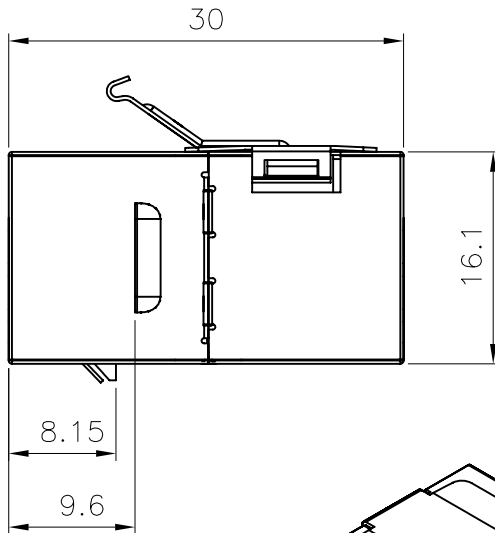
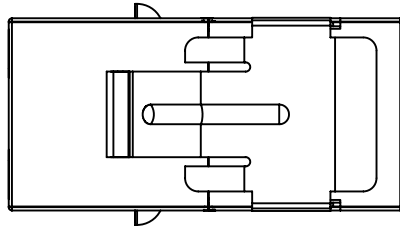


THIS IS A C.A.D. GENERATED DRAWING
DO NOT MAKE MANUAL REVISIONS TO MASTER.



* UNLESS OTHERWISE SPECIFIED TOLERANCES
ON DECIMAL IS: ANGLE $\pm 1^\circ$
UNIT: MM .XX ± 0.35



Electrical specification:

Insulation resistance: 500M Ω
Dielectric withstanding voltage: 1000V AC
DC current rating: 1.5A
DC resistance: 0.1 Ω
Contact resistance: 20m Ω

Physical specification:

Shielded case: Stainless steel
Coupler housing: polycarbonate resin high - impact UL94V-0 Thermoplastic
Spring wire: phosphor bronze with Gold over Nickel undercoat
Insertion life: 750 mating cycles with FCC compliant RJ45 plug
Plug retention force: 11lbf min
Operating temperature: -10°C to 60°C
Humidity: 10%~90%RH

Standard Verification:

ANSI/TIA-568-B.2-1-10 channel compliant
FCC part 68.5, Subpart F compliant
ISO/IEC 11801 Class EA channel compliant
UL 1863

THESE DRAWINGS AND SPECIFICATIONS ARE THE PROPERTY OF MH CONNECTORS LTD. AND SHALL NOT BE REPRODUCED, COPIED OR USED AS THE BASIS FOR THE MANUFACTURE OR SALE OF APPARATUS WITHOUT WRITTEN PERMISSION.

DRAWN Johnny		DATE 09-18-12	
APPROVED		DATE	
SCALE	SHEET OF 1 OF 1	REV: 1.0	
DRAWING No 39-763635952			



THIS SERIES FULLY CONFORMS TO THE EUROPEAN UNION DIRECTIVES 2002/95/EC AND 2002/96/EC FOR RoHS COMPLIANCY.



RJ45 FULLY SHIELDED COUPLER PANEL MOUNTED CAT6A OFFSET PIN.