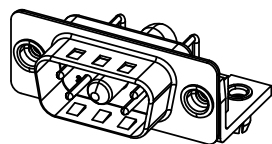


THIS IS A C.A.D. GENERATED DRAWING
DO NOT MAKE MANUAL REVISIONS TO MASTER.

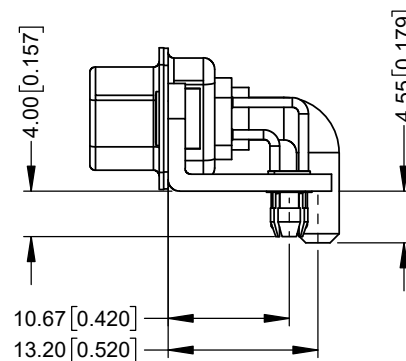
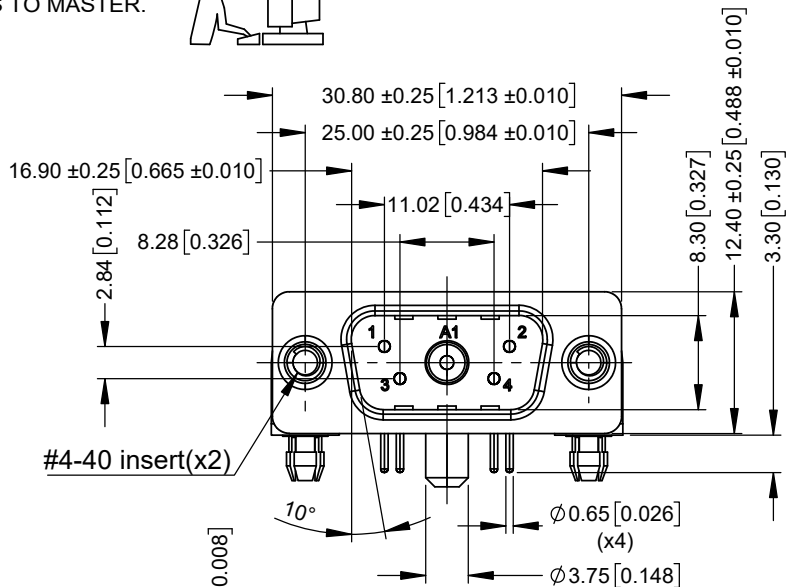


* UNLESS OTHERWISE SPECIFIED TOLERANCES
ON DECIMAL IS: UNIT: MM UNIT: INCH
X.X ± 0.25 X.X ± 0.010
X.XX ± 0.13 X.XX ± 0.005
X.XXX ± 0.05 X.XXX ± 0.002
X.° ± 1° X.° ± 1°
X.X° ± 0.5° X.X° ± 0.5°

ISSUE NUMBER	
ORIGINAL	1



SCALE 1:1



SPECIFICATIONS:

ELECTRICAL:

INSULATOR RESISTANCE: 5 GΩ
 DIELEC. WITHSTAND VOLTAGE: 1,000 VAC R.M.S.
 POWER CONTACT CURRENT: 40A PER CONTACT MAX
 POWER CONTACT RESISTANCE: 2 mΩ MAX.
 SIGNAL CONTACT CURRENT: 5A PER CONTACT MAX.
 SIGNAL CONTACT RESISTANCE: 10 mΩ MAX.
 WORKING VOLTAGE: 250V

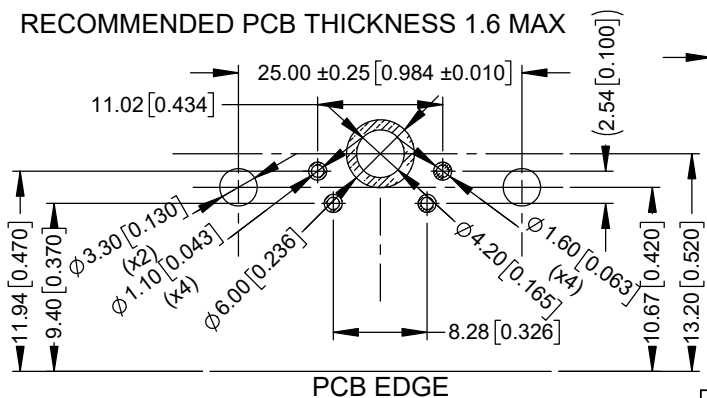
MATERIAL:

INSULATOR: PBT UL94 V-0, BLACK
 SHELL: STEEL, Ni PLATED
 CONTACTS: COPPER ALLOY, FULL GOLD FLASH

GENERAL:

OPERATING TEMPERATURE: -55°C ~ 125°C
 PROCESS TEMP.: 230°C

RECOMMENDED PCB LAYOUT
 RECOMMENDED PCB THICKNESS 1.6 MAX



PCB EDGE

THESE DRAWINGS AND SPECIFICATIONS ARE THE
 PROPERTY OF MH CONNECTORS AND SHALL NOT BE
 REPRODUCED, COPIED OR USED AS THE BASIS FOR
 THE MANUFACTURE OR SALE OF APPARATUS WITHOUT
 WRITTEN PERMISSION.

DRAWN	E.P	DATE	02-05-23
APPROVED	S.R	DATE	02-05-23
SCALE	SHEET	OF	REV:
NA	1	OF 1	1
DRAWING No		MHCDR5W1P4	



THIS SERIES FULLY CONFORMS TO THE
 EUROPEAN UNION DIRECTIVES 2015/863/EU
 AND 2011/65/EU FOR RoHS COMPLIANCY.



MH CONNECTORS,
 DIVISION OF EDAC