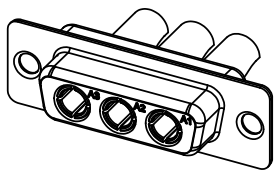
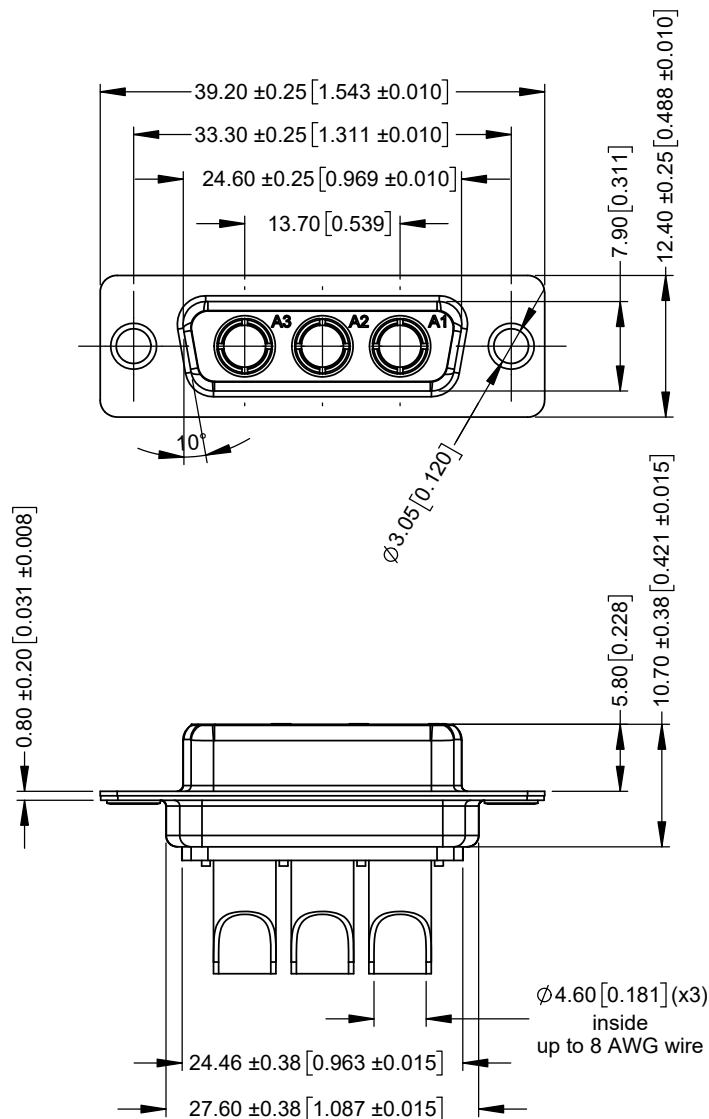


THIS IS A C.A.D. GENERATED DRAWING
DO NOT MAKE MANUAL REVISIONS TO MASTER.



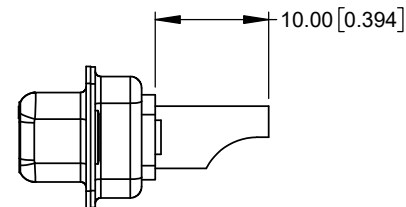
SCALE 1:1



* UNLESS OTHERWISE SPECIFIED TOLERANCES
ON DECIMAL IS: UNIT: MM UNIT: INCH

| | |
|--------------|---------------|
| X.X ± 0.25 | X.X ± 0.010 |
| X.XX ± 0.13 | X.XX ± 0.005 |
| X.XXX ± 0.05 | X.XXX ± 0.002 |
| X.° ± 1° | X.° ± 1° |
| X.X° ± 0.5° | X.X° ± 0.5° |

| ISSUE NUMBER | |
|--------------|---|
| ORIGINAL | ① |



SPECIFICATIONS:

ELECTRICAL:

INSULATOR RESISTANCE: 5 GΩ
DIELEC. WITHSTAND VOLTAGE: 1,000 VAC FOR 1 MIN
POWER CONTACT CURRENT: 40A PER CONTACT MAX
POWER CONTACT RESISTANCE: 2 mΩ MAX.
WORKING VOLTAGE: 250V

MATERIAL:

INSULATOR: PBT UL94 V-0, BLACK
SHELL: STEEL, Ni PLATED
CONTACTS: COPPER ALLOY, FULL GOLD FLASH

GENERAL:

OPERATING TEMPERATURE: -55°C ~ 125°C
PROCESS TEMP.: 230°C

THESE DRAWINGS AND SPECIFICATIONS ARE THE PROPERTY OF MH CONNECTORS AND SHALL NOT BE REPRODUCED, COPIED OR USED AS THE BASIS FOR THE MANUFACTURE OR SALE OF APPARATUS WITHOUT WRITTEN PERMISSION.

| | | |
|-------|-----|----------|
| DRAWN | E.P | DATE |
| | | 02-05-23 |

| | | |
|----------|-----|----------|
| APPROVED | S.R | DATE |
| | | 02-05-23 |

| | | |
|-------|----------|------|
| SCALE | SHEET OF | REV: |
| NA | 1 OF 1 | 1 |

| | |
|------------|------------|
| DRAWING No | MHCDS3W3S4 |
|------------|------------|



THIS SERIES FULLY CONFORMS TO THE EUROPEAN UNION DIRECTIVES 2015/863/EU AND 2011/65/EU FOR RoHS COMPLIANCY.



**MH CONNECTORS ,
DIVISION OF EDAC**