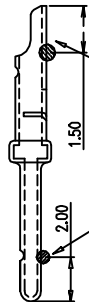
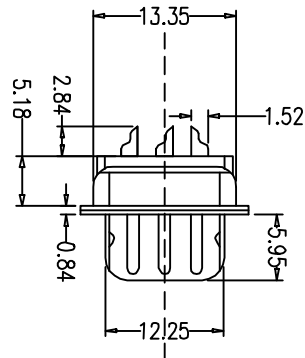
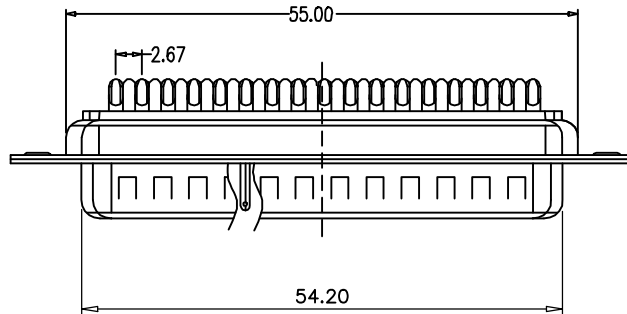
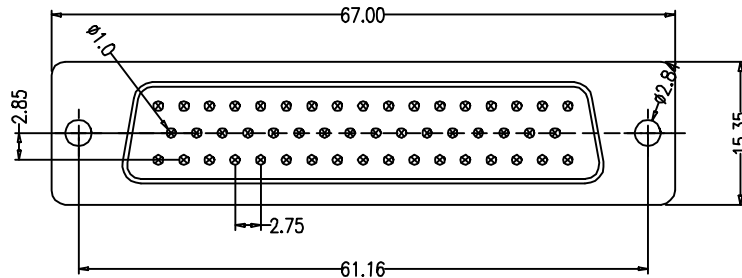


THIS IS A C.A.D. GENERATED DRAWING  
DO NOT MAKE MANUAL REVISIONS TO MASTER.



\* UNLESS OTHERWISE SPECIFIED TOLERANCES  
ON DECIMAL IS: ANGLE X.° ± 3' X.X° ± 1'  
UNIT: MM  
X. ± 0.30  
X.X ± 0.25  
X.XX ± 0.20  
X.XXX ± 0.15



Tin , Nickel PLATING  
TEST POINT

GOLD PLATING  
TEST POINT

REMARK:

1.CHARACTERISTICS:

- 1.1. RATED VOLTAGE: 250V
- 1.2. RATED CURRENT: 3 AMP
- 1.3. CONTACT RESISTANCE: 25mohms MAX. INITIAL;40mohms MAX.AFTER
- 1.4. INSULATION RESISTANCE: 5000Mohms MIN.at 500V DC
- 1.5. DIELECTRIC STRENGTH: 1000VRMS
- 1.6. OPERATING TEMPERATURE RANGE: -55°C~85°C

2.MATERIAL:

- 2.1. INSULATORS: PBT+30% G.F(UL94V-0) BLACK
- 2.2. CONTACTS: BRASS,1u" GOLD PLATING ON CONTACT AREA, 80~100u"Min BRIGHT TIN TOP OVER SOLDER AREA, 50u"Min NICKEL UNDER PLATE
- 2.3. FRONT SHELL: SPCC, NICKEL PLATED
- 2.4. BACK SHELL: SPCC, NICKEL PLATED

THESE DRAWINGS AND SPECIFICATIONS ARE THE PROPERTY OF MH CONNECTORS AND SHALL NOT BE REPRODUCED, COPIED OR USED AS THE BASIS FOR THE MANUFACTURE OR SALE OF APPARATUS WITHOUT WRITTEN PERMISSION.

DRAWN Iven Ou	DATE 09-01-22
------------------	------------------

APPROVED	DATE
----------	------

SCALE	SHEET OF 1 OF 1	REV: 2.0
-------	--------------------	-------------

DRAWING No MHDB50-SP
-------------------------



THIS SERIES FULLY CONFORMS TO THE EUROPEAN UNION DIRECTIVES 2002/95/EC AND 2002/96/EC FOR RoHS COMPLIANCY.



MH CONNECTORS,  
DIVISION OF EDAC