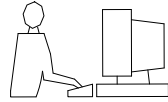
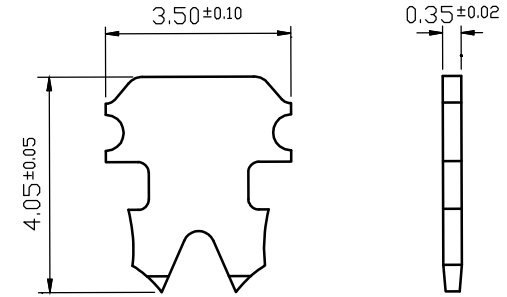
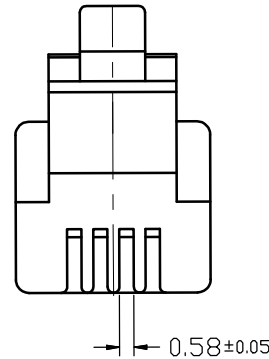
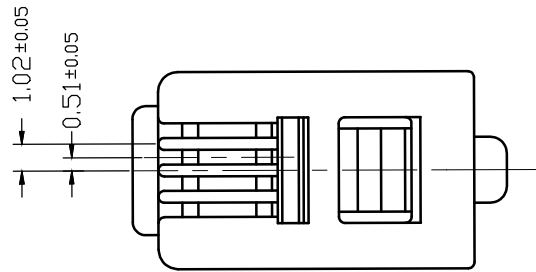


THIS IS A C.A.D. GENERATED DRAWING
DO NOT MAKE MANUAL REVISIONS TO MASTER.

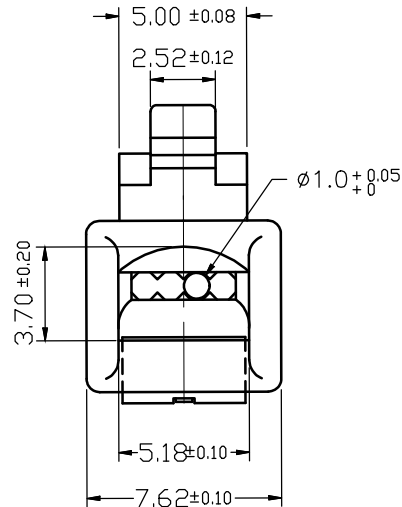
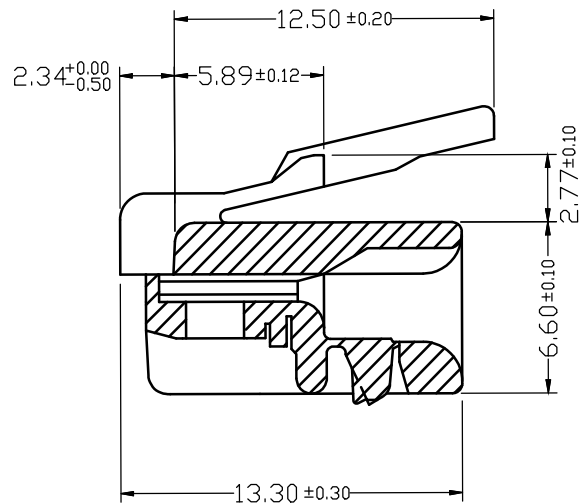


* UNLESS OTHERWISE SPECIFIED TOLERANCES
ON DECIMAL IS: ANGLE $\pm 1^\circ$
.XX ± 0.35

UNIT: MM



2 PRONGS FOR STRANDED WIRE



MATERIAL :

1. Housing Material: Polycarbonate(PC)
UL 94V-2.
2. Contact Type: 2 prongs for STRANDED wire.
3. Gold Plating: 50u" ($\cong 1.27\mu$).
4. Contact Material: Phosphor Bronze.

ORDERING INFORMATION:

| SIZE | P/N - BULK | PRODUCT CODE |
|------|--------------|--------------|
| 4P4C | 6510-0104-02 | MHRJ114P4CR |



THIS SERIES FULLY CONFORMS TO THE
EUROPEAN UNION DIRECTIVES 2002/95/EC
AND 2002/96/EC FOR RoHS COMPLIANCY.



MH CONNECTORS LTD.

THESE DRAWINGS AND SPECIFICATIONS ARE THE
PROPERTY OF MH CONNECTORS LTD. AND SHALL NOT
BE REPRODUCED, COPIED OR USED AS THE BASIS FOR
THE MANUFACTURE OR SALE OF APPARATUS WITHOUT
WRITTEN PERMISSION.

| | | | |
|----------------------------------|---------------------------|-------------------------|--|
| DRAWN HALEY | | DATE 09-05-13 | |
| APPROVED | | DATE | |
| SCALE | SHEET OF 1 OF 1 | REV: 3.0 | |
| DRAWING No MHRJ114P4CR | | | |