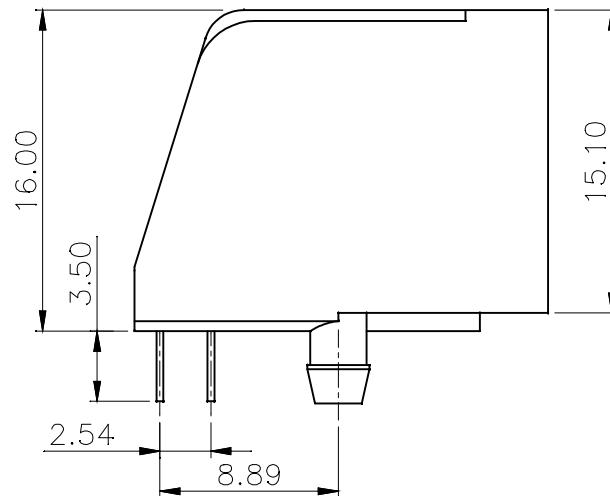
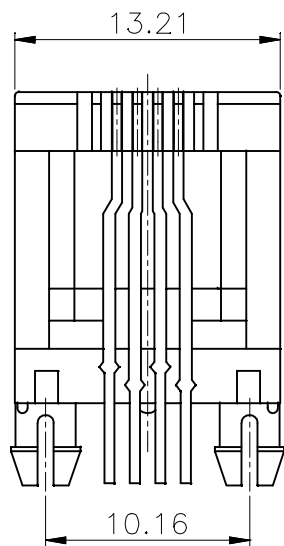


THIS IS A C.A.D. GENERATED DRAWING
DO NOT MAKE MANUAL REVISIONS TO MASTER.



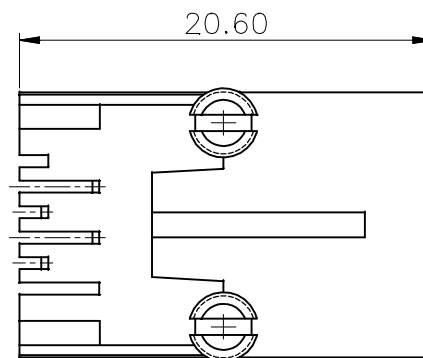
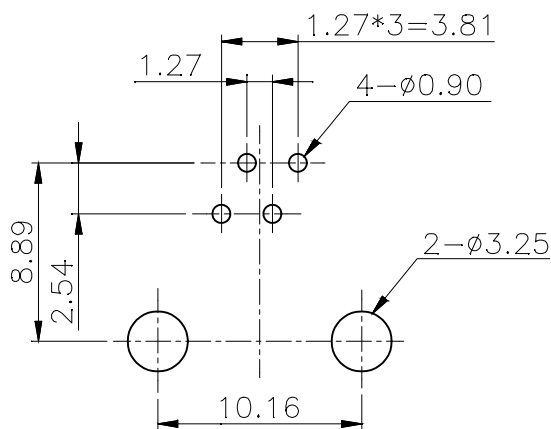
* UNLESS OTHERWISE SPECIFIED TOLERANCES
ON DECIMAL IS: ANGLE ±3°
UNIT: MM X ±0.50
X.X ±0.38
X.XX ±0.25
X.XXX ±0.10



Ordering information:

Type	P/N-BULK	Product Code
6P4C-RA-Unshielded	2101-0100-14	MHRJJ64NFRA

PCB LAYOUT/TOP VIEW



1 MATERIALS:

- 1.1 PLASTIC HOUSING:
ENGINEERING THERMOPLASTIC
FLAMMABILITY RATING UL 94V-0.
- 1.2 CONTACTS: PHOSPHOR BRONZE.
- 1.3 PLATING:
GOLD PLATING OVER NICKEL IN CONTACT.
TIN PLATING OVER NICKEL IN SOLDER AREA.

THESE DRAWINGS AND SPECIFICATIONS ARE THE PROPERTY OF MH CONNECTORS LTD. AND SHALL NOT BE REPRODUCED, COPIED OR USED AS THE BASIS FOR THE MANUFACTURE OR SALE OF APPARATUS WITHOUT WRITTEN PERMISSION.

DRAWN	DATE
HALEY	11-21-13

APPROVED	DATE
DAMIEN	11-22-13

SCALE	SHEET OF	REV:
	1 OF 1	2.0

DRAWING No
MHRJJ64NFRA



THIS SERIES FULLY CONFORMS TO THE EUROPEAN UNION DIRECTIVES 2002/95/EC AND 2002/96/EC FOR RoHS COMPLIANCY.



MH CONNECTORS LTD.