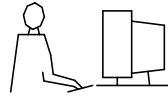
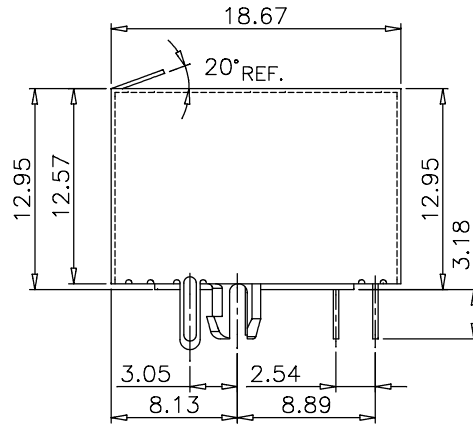
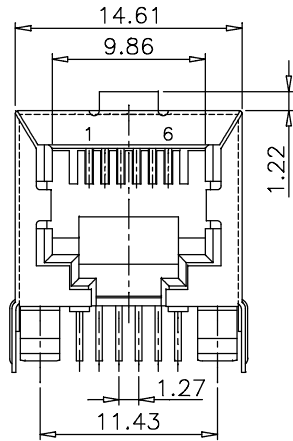


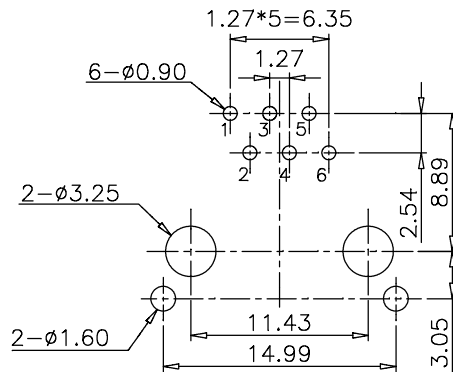
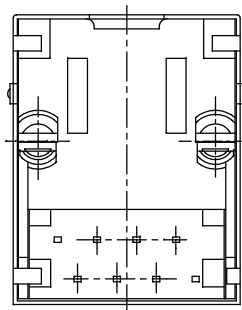
THIS IS A C.A.D. GENERATED DRAWING
DO NOT MAKE MANUAL REVISIONS TO MASTER.



* UNLESS OTHERWISE SPECIFIED TOLERANCES
ON DECIMAL IS: ANGLE ± 3°
UNIT: MM X ±0.50
.X ±0.38
.XX ±0.25
.XXX ±0.10



PCB LAYOUT/TOP VIEW



MATERIALS:

1. PLASTIC HOUSING: ENGINEERING THERMOPLASTIC FLAMMABILITY RATING UL 94V-0
2. CONTACTS: PHOSPHOR BRONZE
3. PLATING: GOLD PLATING OVER NICKEL IN CONTACT
TIN PLATING OVER NICKEL IN SOLDER AREA
4. SHIELDED: BRASS WITH NICKEL PLATED

THESE DRAWINGS AND SPECIFICATIONS ARE THE PROPERTY OF MH CONNECTORS LTD. AND SHALL NOT BE REPRODUCED, COPIED OR USED AS THE BASIS FOR THE MANUFACTURE OR SALE OF APPARATUS WITHOUT WRITTEN PERMISSION.

DRAWN JOHNNY	DATE 03-18-13
-----------------	------------------

APPROVED DAMIEN	DATE 03-19-13
--------------------	------------------

SCALE	SHEET OF 1 OF 1	REV: 2.0
-------	--------------------	-------------

DRAWING No MHRJJ66NFRAS



THIS SERIES FULLY CONFORMS TO THE EUROPEAN UNION DIRECTIVES 2002/95/EC AND 2002/96/EC FOR RoHS COMPLIANCY.



MH CONNECTORS LTD.