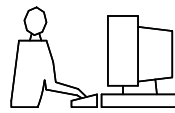
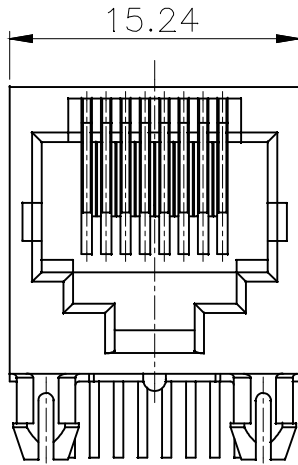


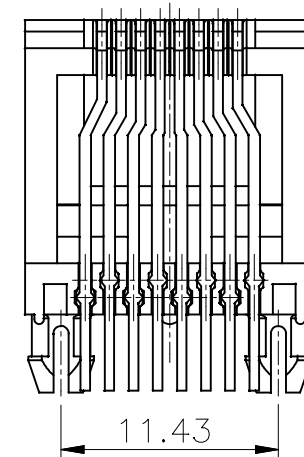
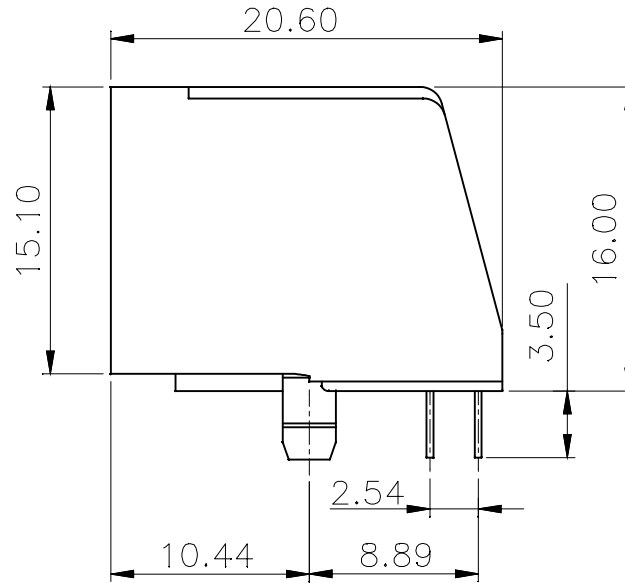
THIS IS A C.A.D. GENERATED DRAWING
DO NOT MAKE MANUAL REVISIONS TO MASTER.



* UNLESS OTHERWISE SPECIFIED TOLERANCES
ON DECIMAL IS: ANGLE $\pm 3^\circ$
UNIT: MM X ± 0.50
X.X ± 0.38
X.XX ± 0.25
X.XXX ± 0.10

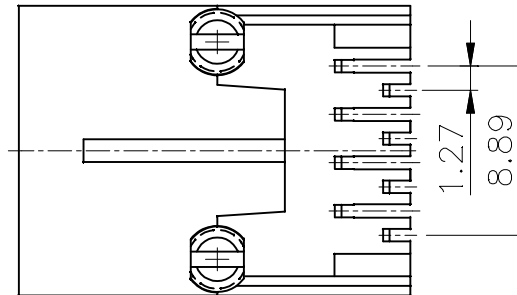
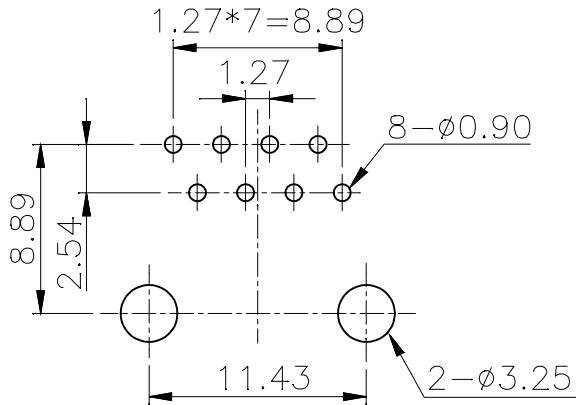


PCB LAYOUT/TOP VIEW



Ordering information:

Type	P/N-BULK	Product Code
8P8C-RA-Unshielded	2101-0100-13	MHRJJ88NFRA



1. MATERIALS:

- 1.1 PLASTIC HOUSING:**
ENGINEERING THERMOPLASTIC
FLAMMABILITY RATING UL 94V-0.
- 1.2 CONTACTS:** PHOSPHOR BRONZE.
- 1.3 PLATING:**
GOLD PLATING OVER NICKEL IN CONTACT.
TIN PLATING OVER NICKEL IN SOLDER AREA.

THESE DRAWINGS AND SPECIFICATIONS ARE THE PROPERTY OF MH CONNECTORS LTD. AND SHALL NOT BE REPRODUCED, COPIED OR USED AS THE BASIS FOR THE MANUFACTURE OR SALE OF APPARATUS WITHOUT WRITTEN PERMISSION.

DRAWN HALEY		DATE 11-21-13
APPROVED DAMIEN		DATE 11-22-13
SCALE	SHEET OF 1 OF 1	REV: 2.0
DRAWING No MHRJJ88NFRA		



THIS SERIES FULLY CONFORMS TO THE EUROPEAN UNION DIRECTIVES 2002/95/EC AND 2002/96/EC FOR RoHS COMPLIANCY.



MH CONNECTORS LTD.