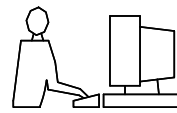
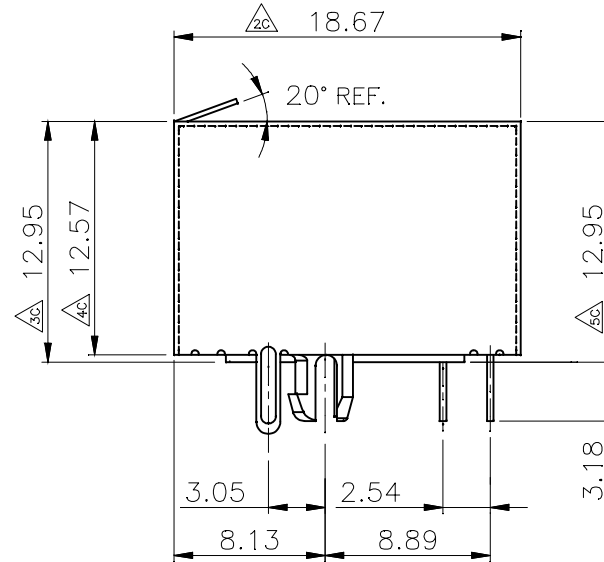
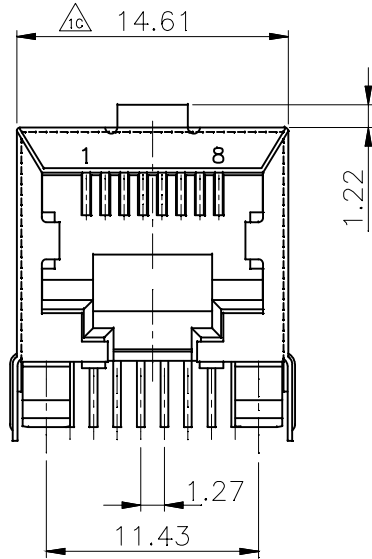


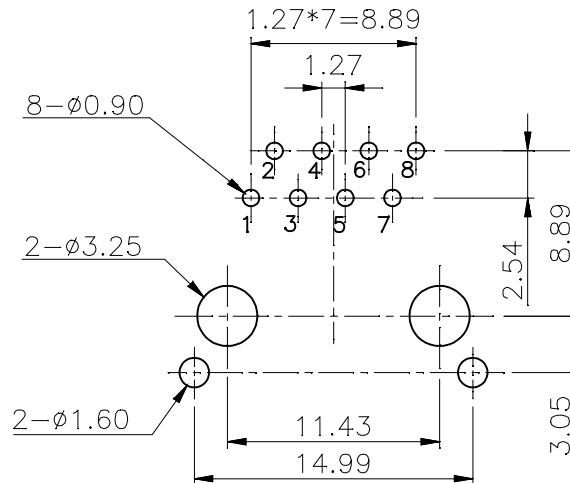
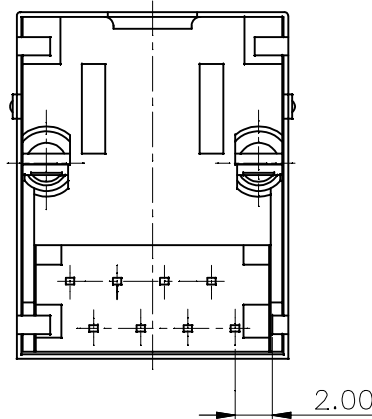
THIS IS A C.A.D. GENERATED DRAWING  
DO NOT MAKE MANUAL REVISIONS TO MASTER.



\* UNLESS OTHERWISE SPECIFIED TOLERANCES  
ON DECIMAL IS: ANGLE ± 3°  
UNIT: MM x ±0.50  
.x ±0.38  
.xx ±0.25  
.xxx ±0.10



PCB LAYOUT/TOP VIEW



**MATERIALS:**  
PLASTIC HOUSING: ENGINEERING THERMOPLASTIC  
FLAMMABILITY RATING UL 94V-0.  
CONTACTS: PHOSPHOR BRONZE.  
PLATING: GOLD PLATING OVER NICKEL IN CONTACT.  
TIN PLATING OVER NICKEL IN SOLDER AREA.  
SHIELDED: BRASS WITH NICKEL PLATED.

Ordering information:		
Type:	P/N-BULK:	Product Code:
8P8C-RA-Shielded	2101-0100-03	MHRJJ-88NF-RA-S

THESE DRAWINGS AND SPECIFICATIONS ARE THE PROPERTY OF MH CONNECTORS LTD. AND SHALL NOT BE REPRODUCED, COPIED OR USED AS THE BASIS FOR THE MANUFACTURE OR SALE OF APPARATUS WITHOUT WRITTEN PERMISSION.

DRAWN HALEY	DATE 09-13-13
----------------	------------------

APPROVED DAMIEN	DATE 09-14-13
--------------------	------------------

SCALE	SHEET OF 1 OF 1	REV: 2.0
-------	--------------------	-------------

DRAWING No MHRJJ88NFRAS
----------------------------



THIS SERIES FULLY CONFORMS TO THE EUROPEAN UNION DIRECTIVES 2002/95/EC AND 2002/96/EC FOR RoHS COMPLIANCY.



**MH CONNECTORS LTD.**