

EDAC / MH

Product Range Overview

EDAC and MH Product Range



D-Sub Connectors



Machined D-Subs



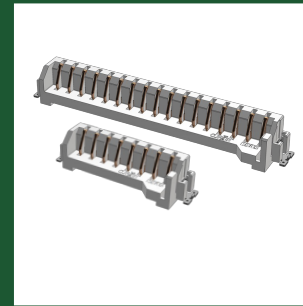
Waterproof D-Subs



D-Sub Combos



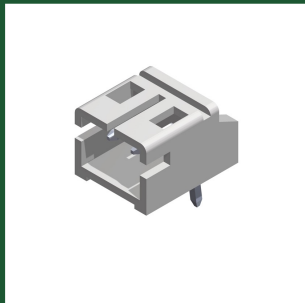
E-Seal



Clipzin™



Magnetic Pogos



140 Series



Card Edge Connectors



516 Series



Jax



USB Connectors



HDMI Connectors



Push-Pull

Push-Pull Connectors



The EDAC group of companies.
Interconnect solutions for every application.



+44 (0)1933 427300
edac.net

Push-Pull Range



The EDAC group of companies.
Interconnect solutions for every application.

EDAC

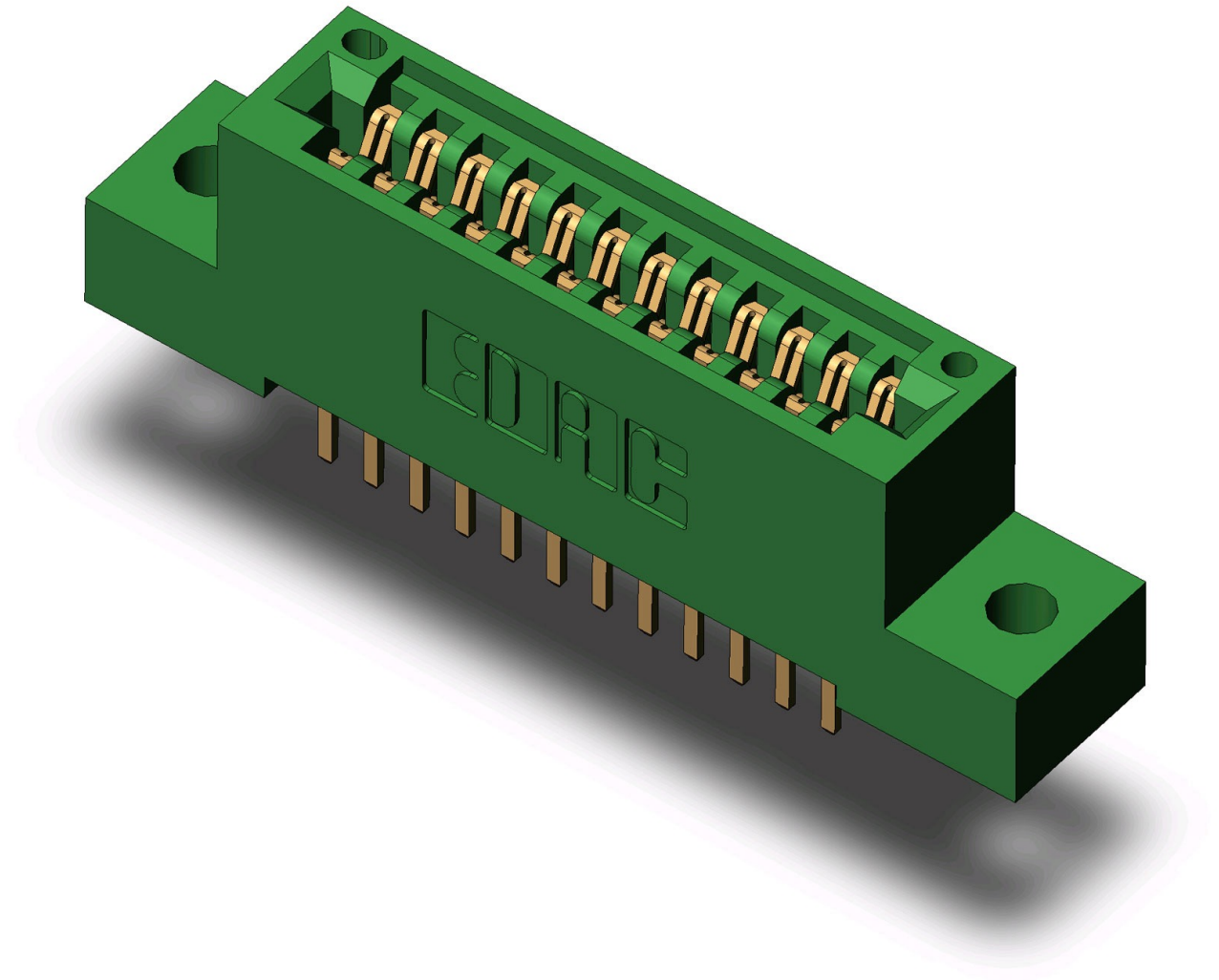
+44 (0)1933 427300
edac.net

Push-Pull Key Features

- Very high reliability
- Sealed options
- Metal shell for EMC shielding
- Plastic shells for medical
- Drop-in replacement



Edge Card Connectors

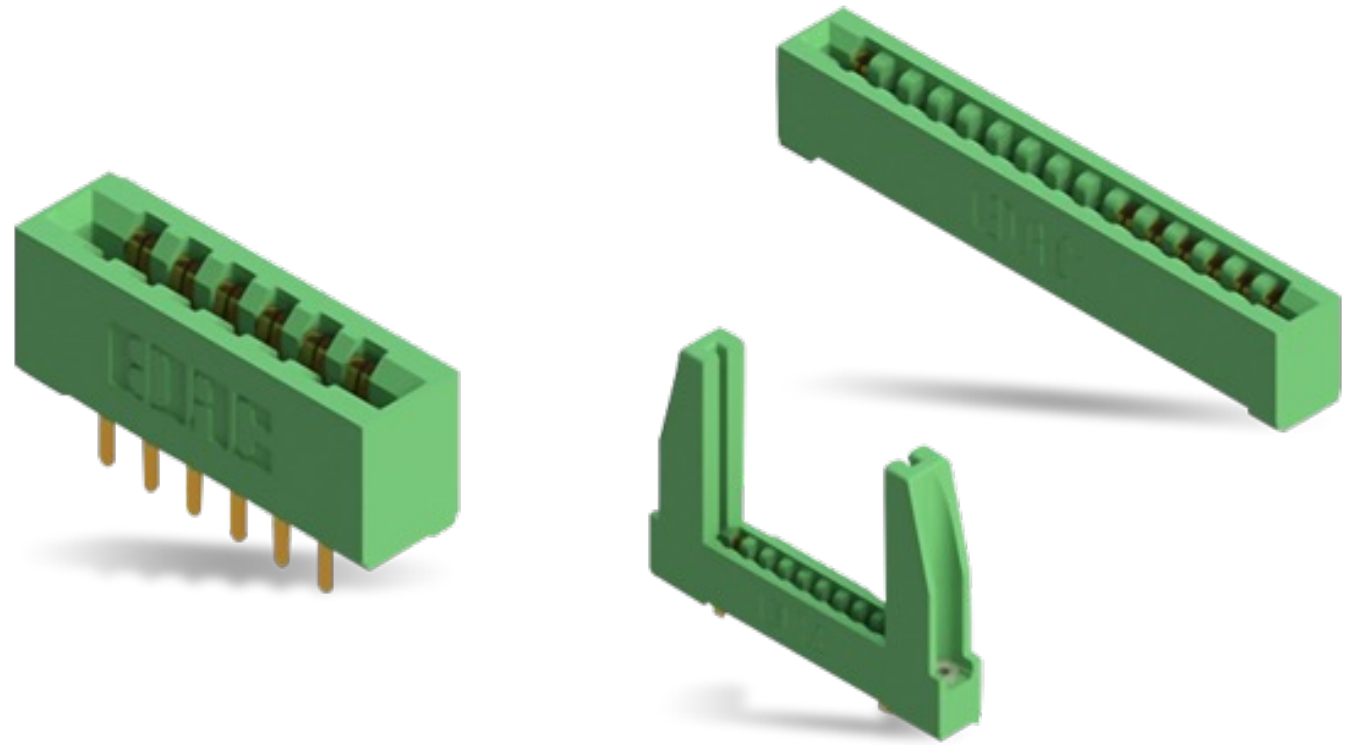


The EDAC group of companies.
Interconnect solutions for every application.

EDAC

+44 (0)1933 427300
edac.net

Edge Card Range

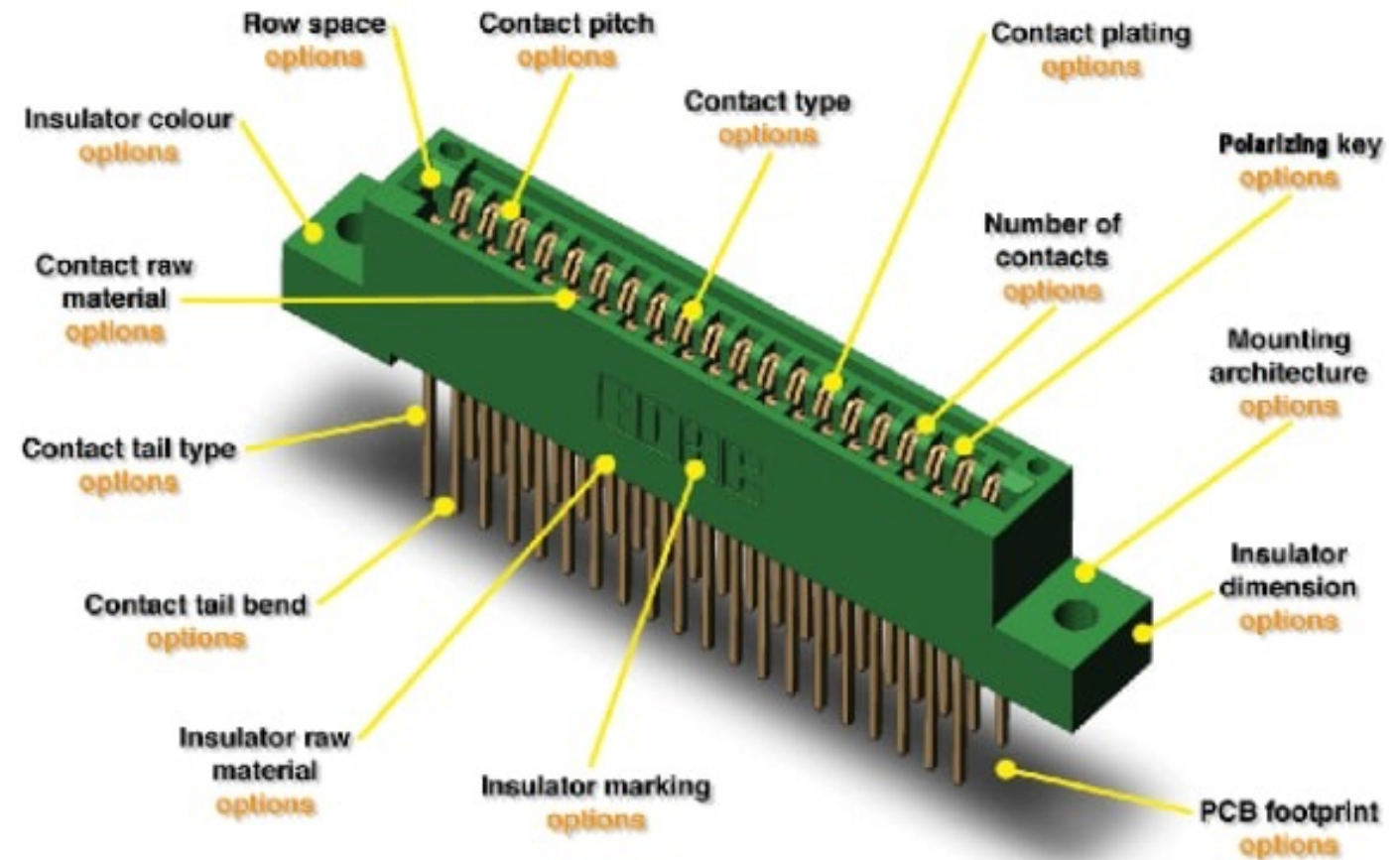


The EDAC group of companies.
Interconnect solutions for every application.

EDAC

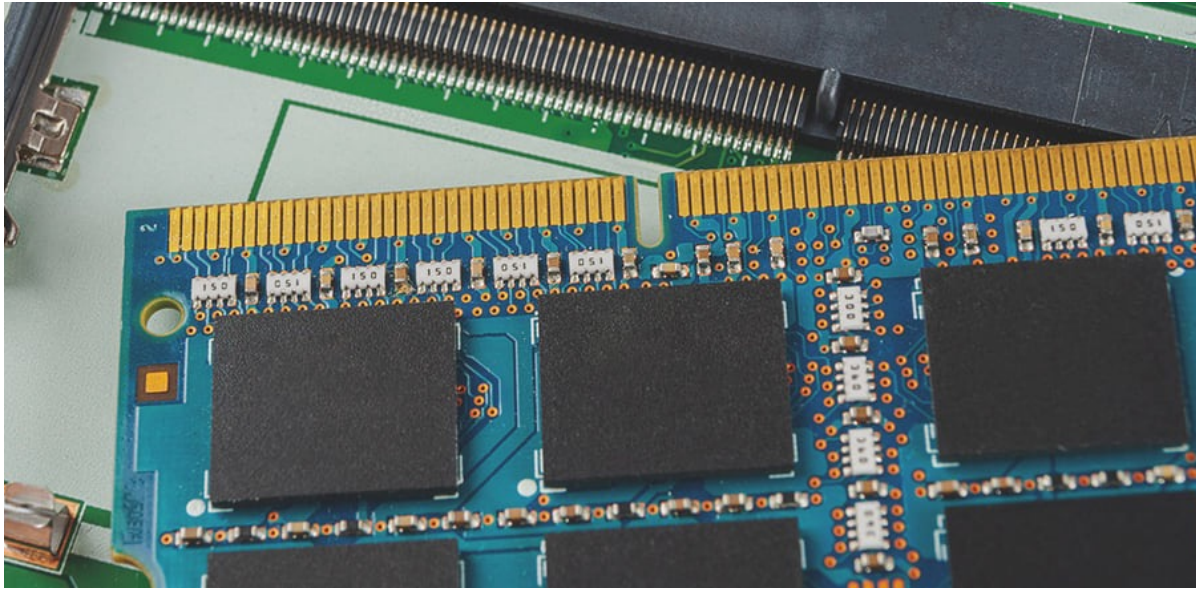
+44 (0)1933 427300
edac.net

Edge Card Key Features



Edge Card Key Features

- Comprehensive range with huge number of options
- 500,000 part numbers
- Easy customisation with low minimum order quantity
- Several standards still use edge card
- Still highly popular & versatile



Magnetic Pogo Connectors



EDAC

The EDAC group of companies.
Interconnect solutions for every application.

The EDAC logo, consisting of the letters 'EDAC' in a bold, green, sans-serif font with a slight 3D effect.

+44 (0)1933 427300
edac.net

Magnetic Pogo Range



Magnetic Pogo Key Features

- Magnetic latching with blind mate
- Zero insertion force
- High operating temperature
- Vibration resistant
- Highly reliable:
30,000 mating cycles



Rack and Panel 516 Series

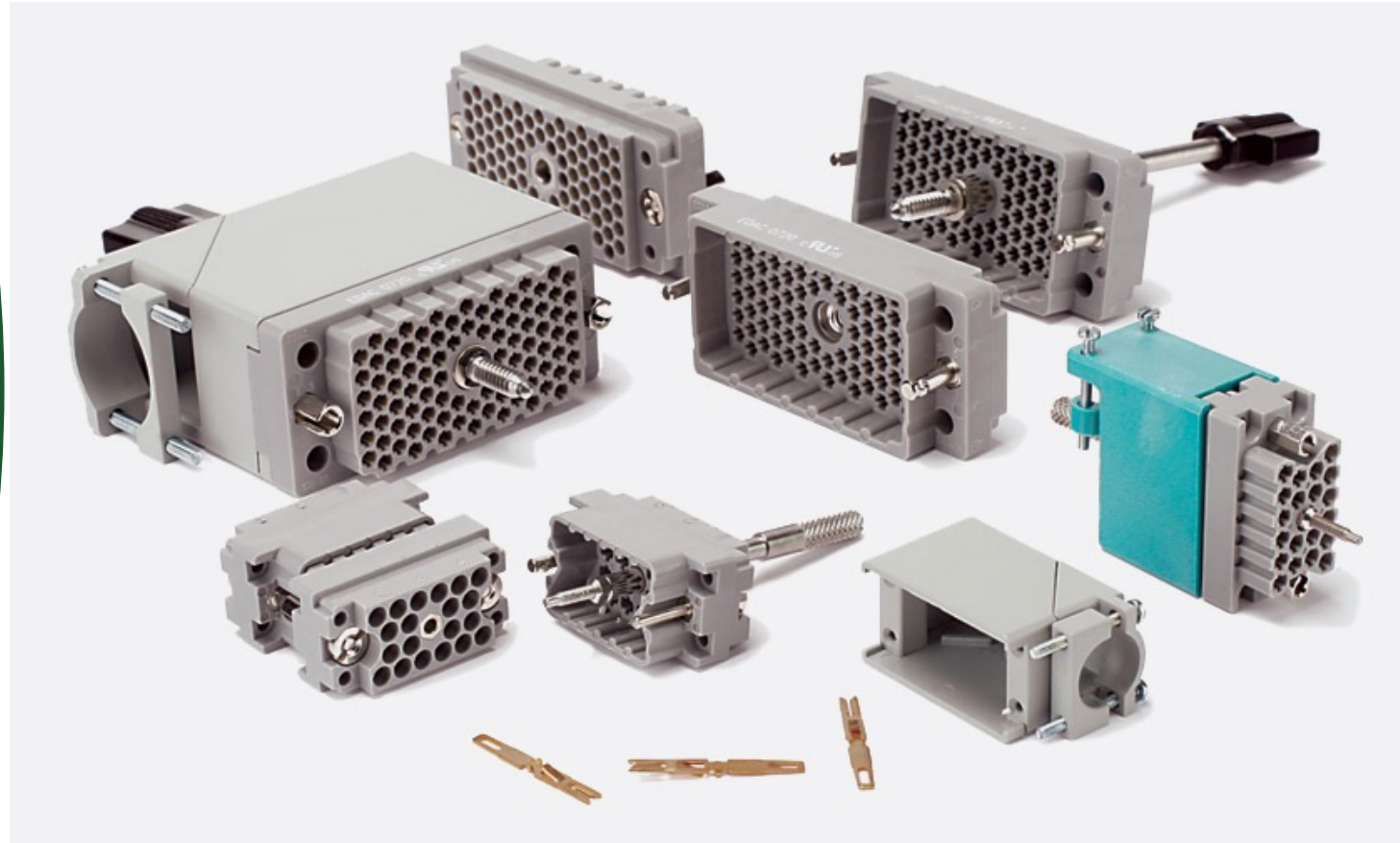


The EDAC group of companies.
Interconnect solutions for every application.



+44 (0)1933 427300
edac.net

516 Series Range



The EDAC group of companies.
Interconnect solutions for every application.

EDAC

+44 (0)1933 427300
edac.net

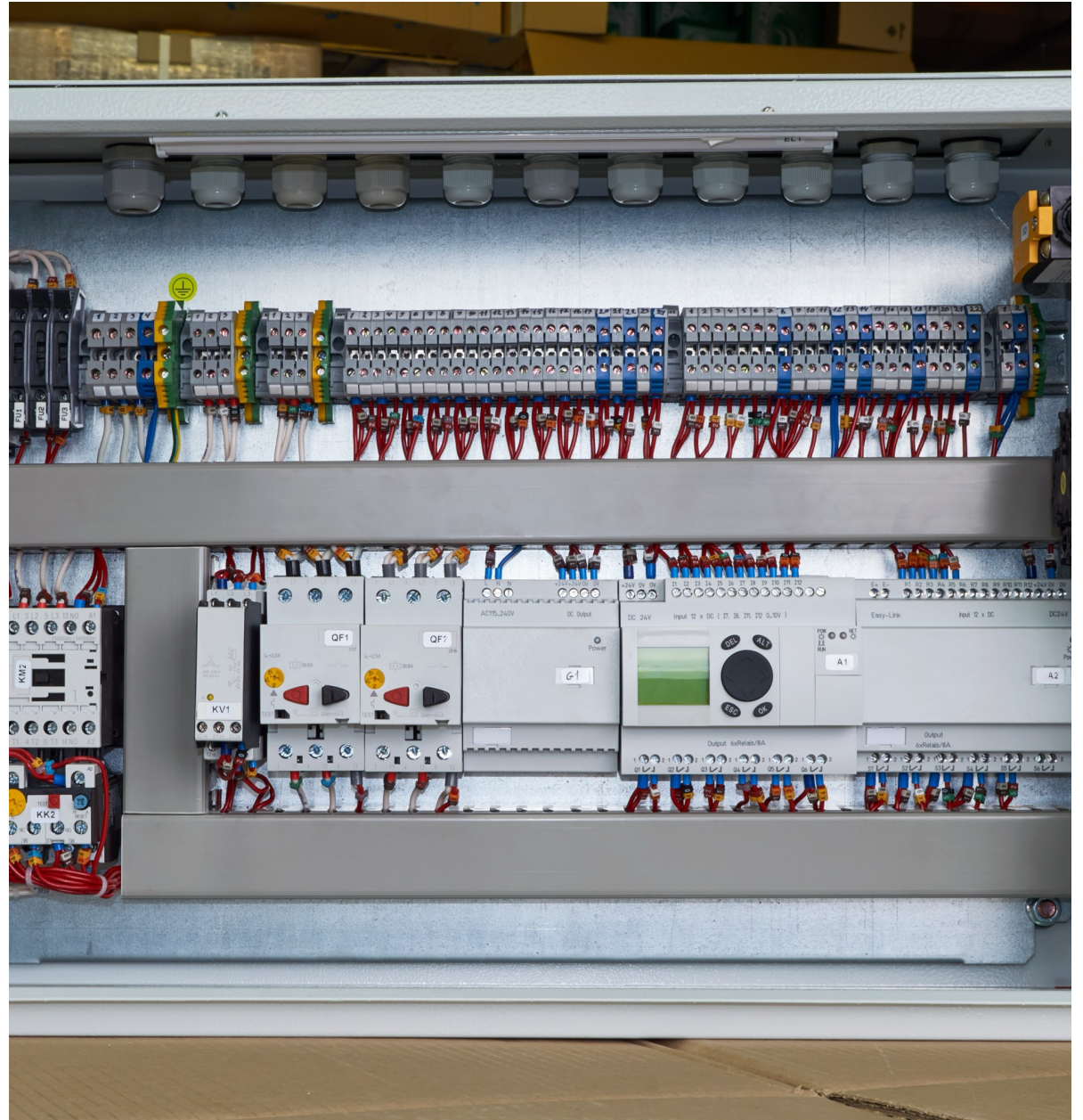
516 Series Key Features

- Highly versatile
- Many connector sizes
- Actuating screws
- Accessories
- Supply chain simplicity

516 Series Unique Feature



- Hermaphroditic Contact System



E-Seal Waterproof Connector

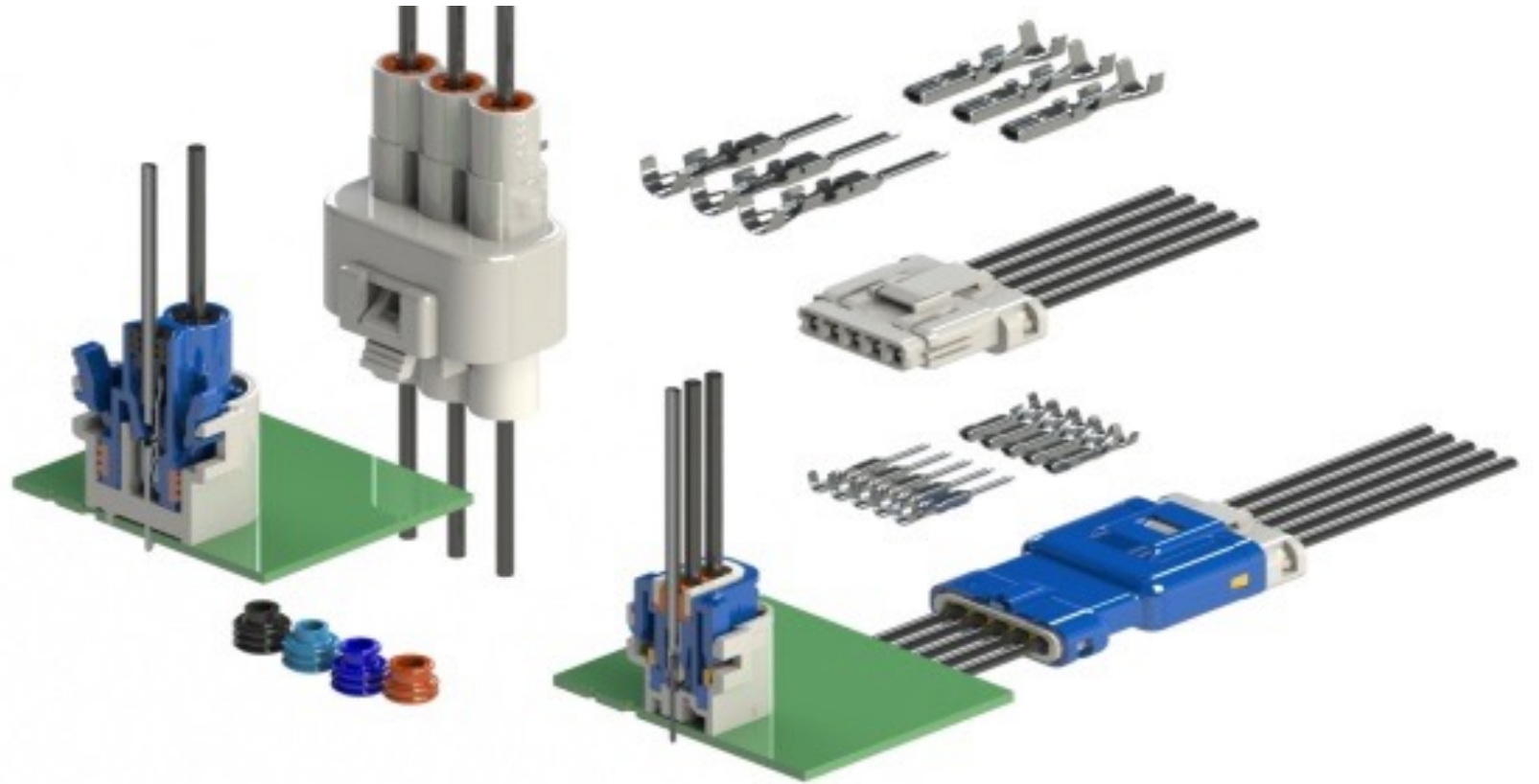


The EDAC group of companies.
Interconnect solutions for every application.

EDAC

+44 (0)1933 427300
edac.net

E-Seal Range



The EDAC group of companies.
Interconnect solutions for every application.

EDAC

+44 (0)1933 427300
edac.net

E-Seal

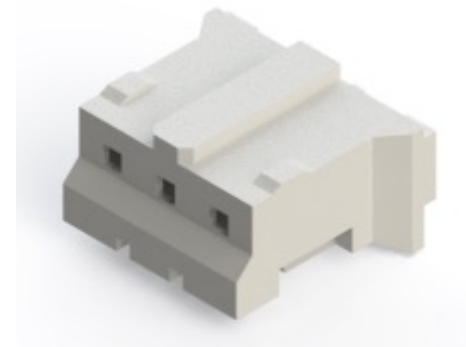
Key Features

- Wire-to-wire and Wire-to-board system
- Different pitch sizes and current ratings
- No external sealing required
- Sealed to IP67
- Double latch for security

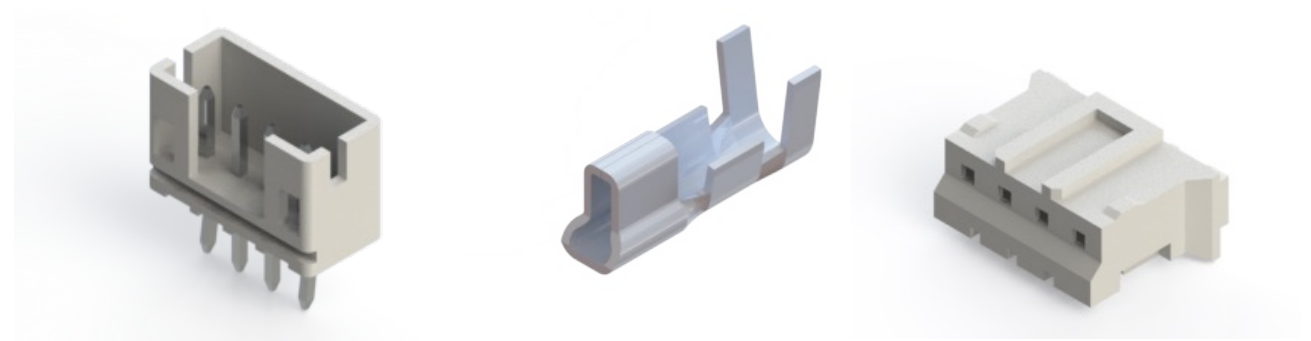


Inline Connectors 140 Series

inLINE+



140 Series Range

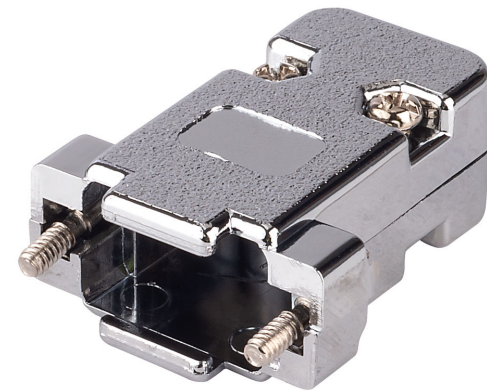


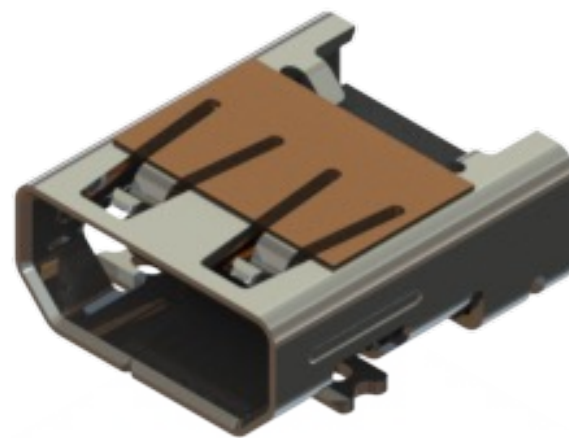
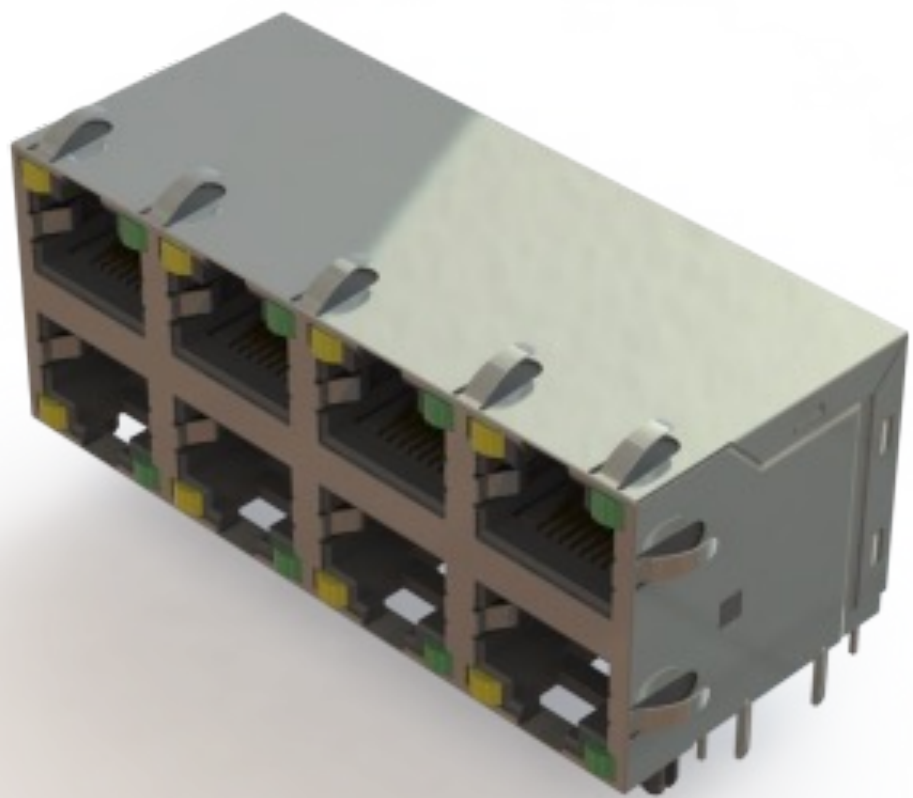
140 Series Key Features

- Wire-to-board connectors
- 2.00 mm pitch
- Very low stacking height
- Latch with audible click
- Drop-in replacement



Other EDAC / MH Connectors





The EDAC group of companies.
Interconnect solutions for every application.



+44 (0)1933 427300
edac.net